

HEMCO SPECIAL TAPERS

FAX TO: (616) 396-0413
REQUEST FOR QUOTE

HEMCO CORPORATION

455 DOUGLAS AVENUE
 HOLLAND MICHIGAN 49424
 PHONE: (616) 396 - 4604
 FAX: (616) 396 - 0413

FROM:

NAME: _____

COMPANY: _____

PHONE: _____

FAX: _____

PLEASE FURNISH WHAT INFORMATION YOU HAVE ON YOUR SPECIAL GAGING REQUIREMENTS. MARK UP DRAWING(S) TO SHOW ANY ADDITIONAL CHARACTERISTICS

TAPER PLUG GAGE

Ø AT SMALL END / TOL. _____ / _____

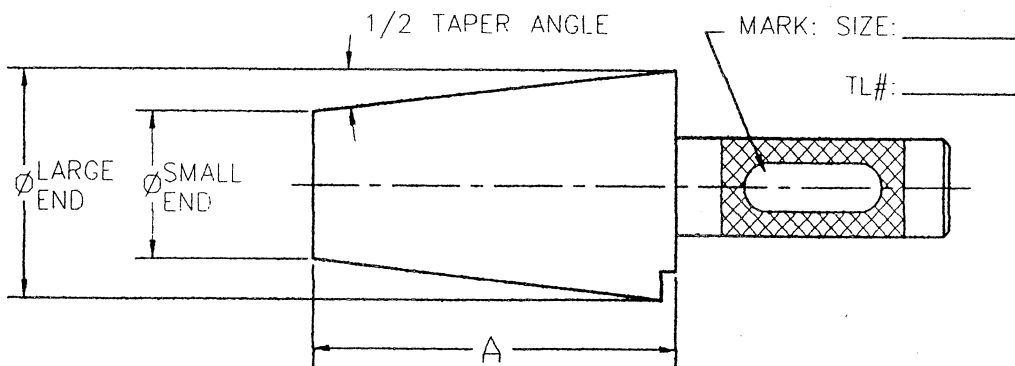
TAPER PER FT. _____

Ø AT LARGE END / TOL. _____ / _____

TAPER PER IN. _____ OR _____ 1/2 TAPER ANGLE

A OVERALL LENGTH OF TAPER / TOL. _____ / _____

TAPER / TOL. _____ / _____ IN / IN (IF DIFFERENT)



NOTE:
 PLUG TAPERS ARE HELD TO
 +.0001 AT LARGE END DIA.,
 SMALL END DIA. AND OVERALL
 LENGTHS ARE REFERENCED ONLY.
 -.0001 TAPER PER INCH. PLEASE
 SPECIFY IF YOUR REQUIREMENTS
 ARE DIFFERENT.

TAPER RING GAGE

Ø AT SMALL END / TOL. _____ / _____

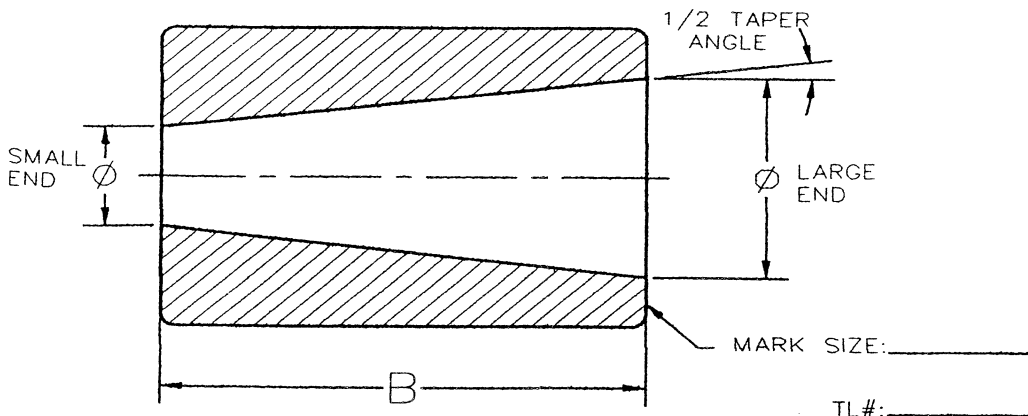
TAPER PER FT. _____

Ø AT LARGE END / TOL. _____ / _____

TAPER PER IN. _____ OR _____ 1/2 TAPER ANGLE

B OVERALL LENGTH OF TAPER / TOL. _____ / _____

TAPER / TOL. _____ / _____ IN / IN (IF DIFFERENT)



NOTE:
 RING TAPERS ARE HELD TO
 -.0001 AT LARGE END DIA.,
 SMALL END DIA. AND OVERALL
 LENGTHS ARE REFERENCED ONLY.
 +.0001 TAPER PER INCH. PLEASE
 SPECIFY IF YOUR REQUIREMENTS
 ARE DIFFERENT.